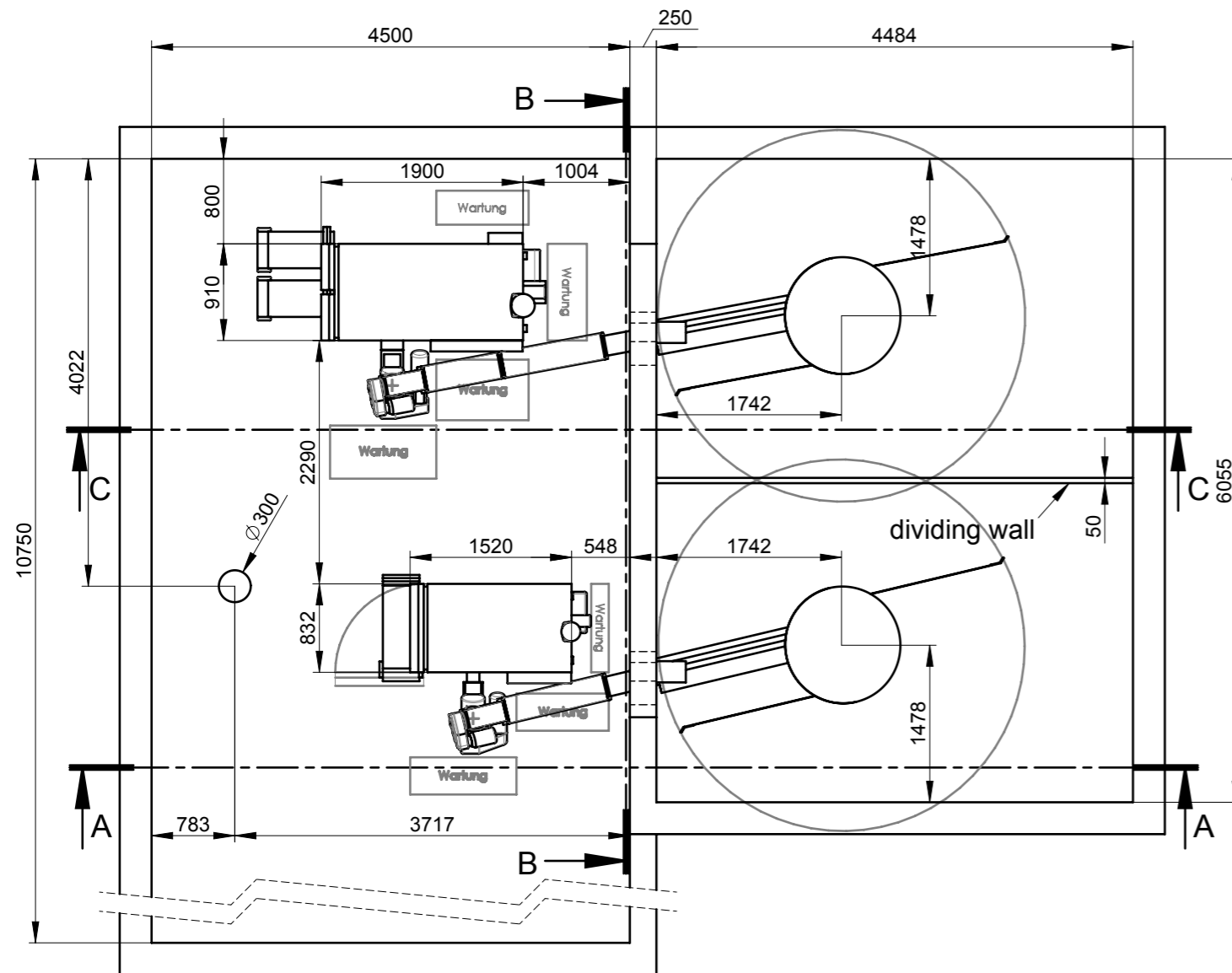
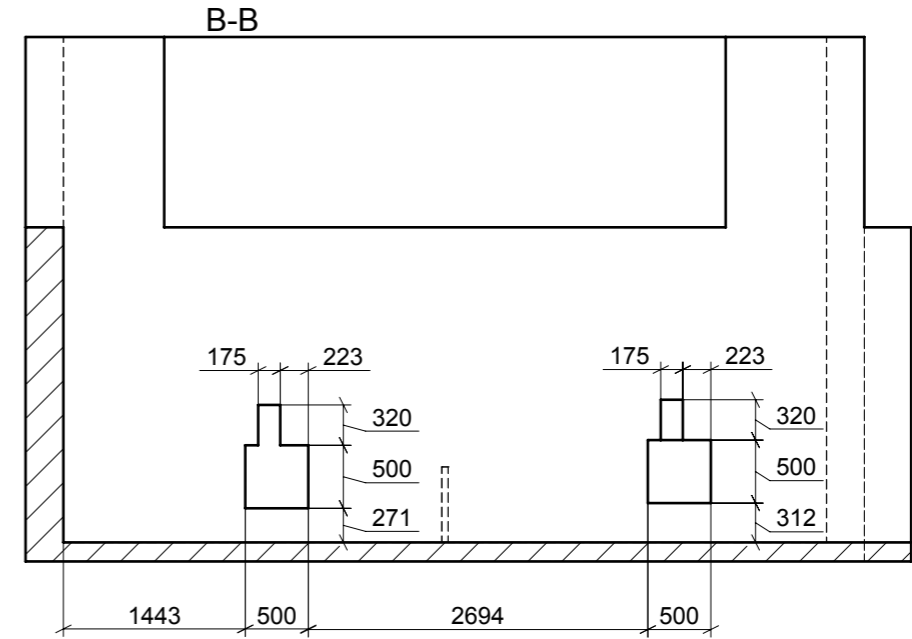
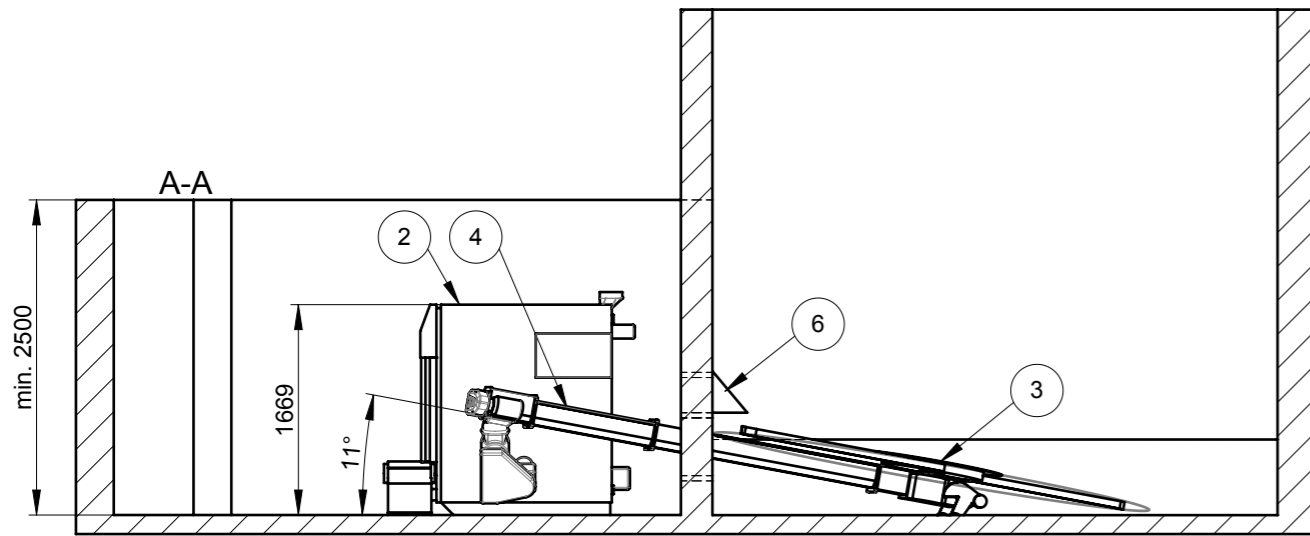



This setup is not suitable for pellets!

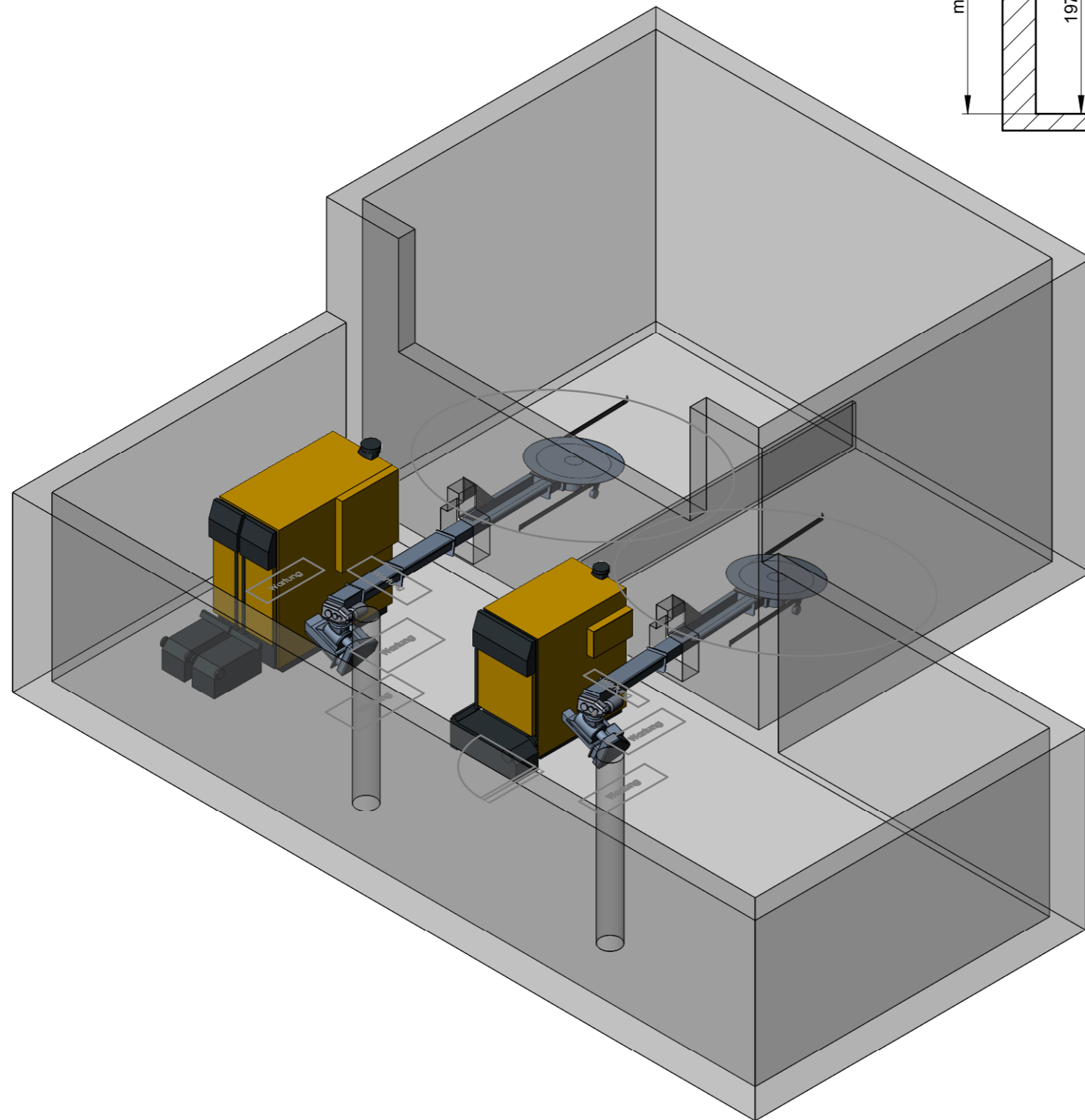
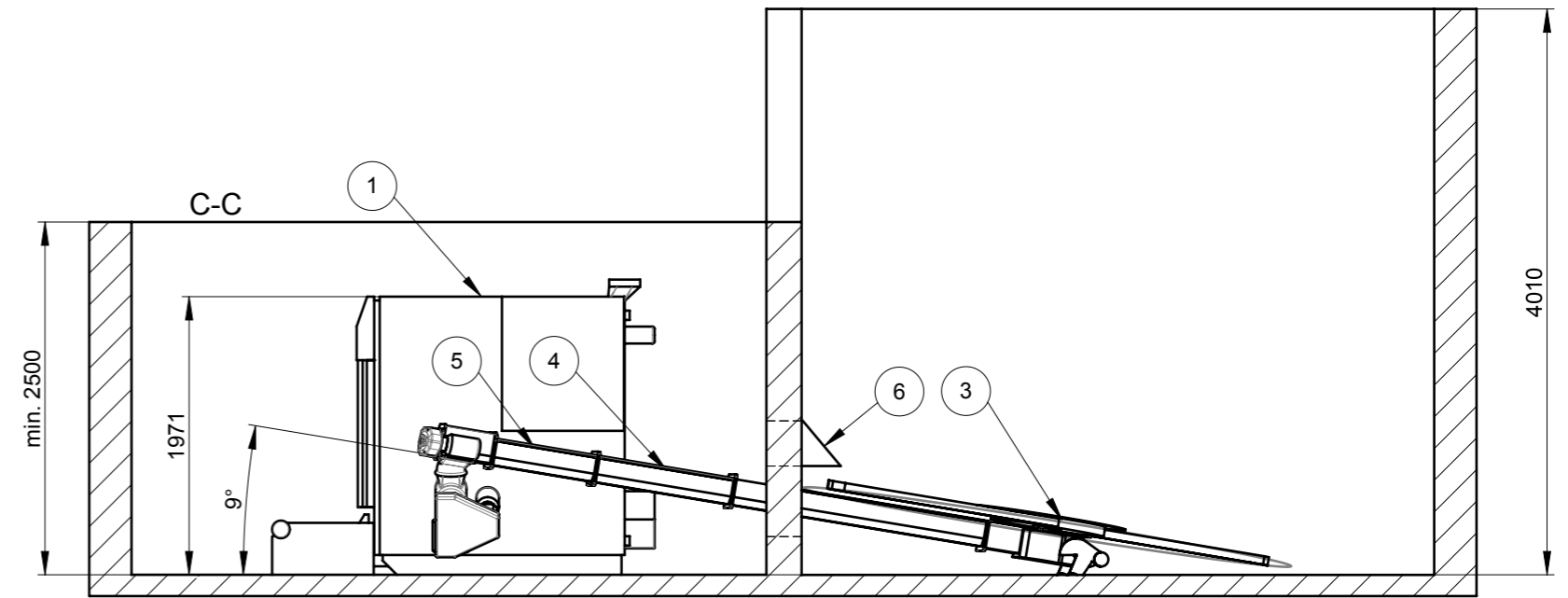


Pos	Qty	Description	Part no.
6	2	Service opening for the silo	17005
5	1	Trough screw extension L= 750 mm for wood chip discharge from 130 kW	17020-0750
4	2	Trough screw extension L= 1000 mm for wood chip discharge from 130 kW	17020-1000
3	2	Floor agitator with leaf spring arms D=3,5m (from 130kW)	17021-35
2	1	ETA Hack 130 right	13130R-T
1	1	ETA Hack 199 right	13200R-T


<b>Planning proposal</b>		Distributor / Agent: <b>ETA NORGE</b>	Operator / Project:
		Plumber:	<b>Kom. Fyrrsentral Arnt Magnar Stokka</b>
		<b>ETA Norge</b>	
			
		Gewerbepark 1 A-4716 Hofkirchen	
		This planning proposal is without obligation! Instructions must be followed!	
Name	Loidl	Drawing No.:	<b>P001481-02</b>
Date	05.02.2014	Scale:	1:60
		Sheet	1/2
		A3Q	
Path: EPDM\Planungen\2014\NO\ETA_Norge-Fyrrsentral_Arnt_Magnar_Stokka\P001481.SLDDRW			

Please send this drawing together with the order to our order department  
 Fax: 0043 7734 22 88 22

Anlage ist nicht für Pelletsbetrieb geeignet!



Please send this drawing together with the order to our order department  
 Fax: 0043 7734 22 88 22

<b>Planning proposal</b>		Distributor / Agent: ETA NORGE	
 Gewerbepark 1 A-4716 Hofkirchen This planning proposal is without obligation! Instructions must be followed!		Plumber:	Operator / Project:
		ETA Norge	Kom. Fyrrsentral Arnt Magnar Stokka
Name	Loidl	Drawing No.:	P001481-02
Date	05.02.2014	Scale:	1:60
Path: EPDM\Planungen\2014\NO\ETA_Norge-Fyrrsentral_Arnt_Magnar_Stokka\P001481.SLDDRW		Sheet 2/2	A3Q